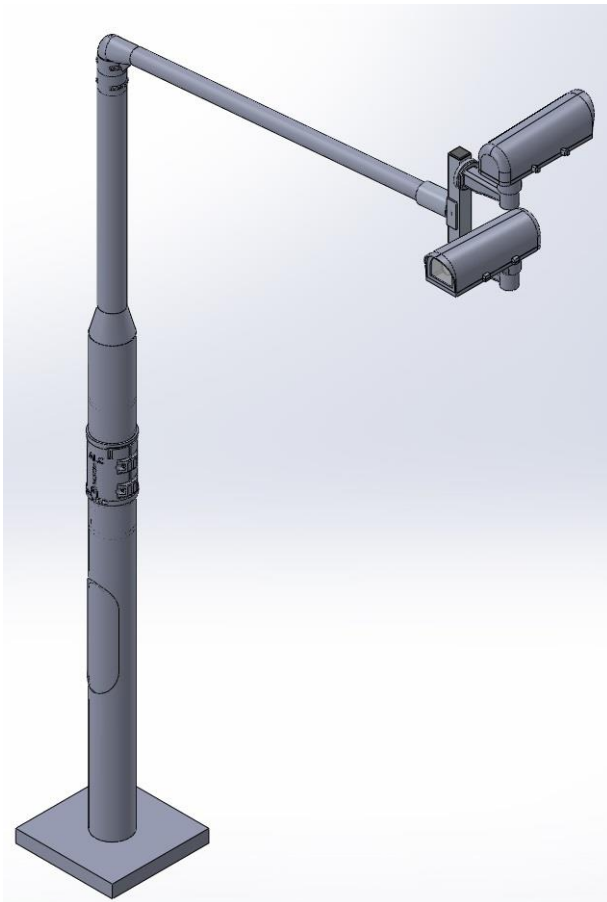


## Camera Equipment Product Options

Camera Housing  
Camera Micro Adjuster  
Camera Post, folding (All Aluminium)  
Camera Post Isolator  
Camera Post Adaptor (CP01 for fitting housing directly to post)  
Canopy Mount (CA01 Fixed Length)  
Canopy Mount (CA03 Fixed Dog Leg)  
Wall Mount (CA05 Vertical Drop for Maintenance)  
Wall Mount (CA06 Horizontal movement for Maintenance)  
Other designs are available

Model SAW6912  
Model SAW6876  
Model SAW6970  
Model SAW6861  
Model SAW6922  
Model SAW6847  
Model SAW6849  
Model SAW6851  
Model SAW6852



Above unit:  
Camera Housings x 2, Cp52 Twin interface  
adaptor, Off-set Arm & Folding camera  
Post.

### Key Features

- All Aluminium Post & Accessories
- Easy Camera Adjustment
- Light weight
- Ease of Maintenance
- Ease of Installation
- Maximum Height 4M (Post)
- Paint Finish to suit TOC's
- Non-Rusting (Posts, Arms & Adaptors)
- Easily Adaptable to various configurations with 2 Cameras



## Product Options

### Alternative camera Mounts and Adaptors

Off-set Arm

Off-set Arm adaptor (CP02 for fitting housing to Arm)

Interface Adaptor (CP50 Twin camera mount one side of the post)

Interface Adaptor (CP51 Twin camera mount each side of the post)

Interface Adaptor (CP52 Twin camera mount one above the other)

Interface Adaptor (CP54 Twin camera mount facing each way)

Model SAW6923

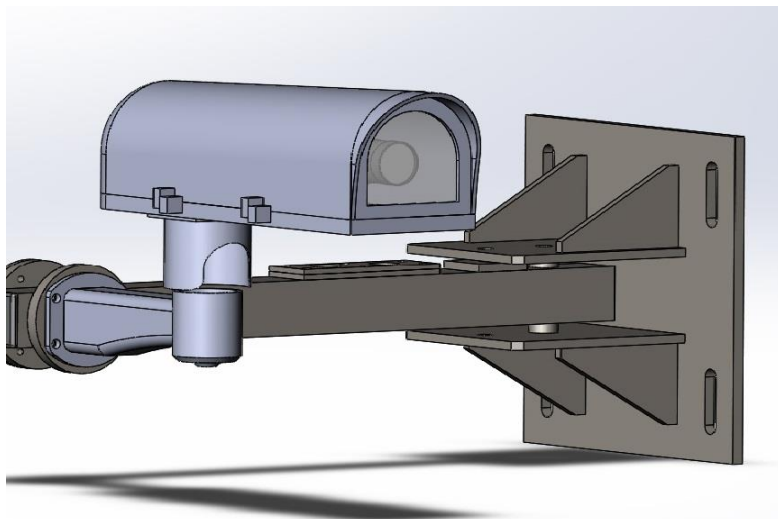
Model SAW6888

Model SAW6927

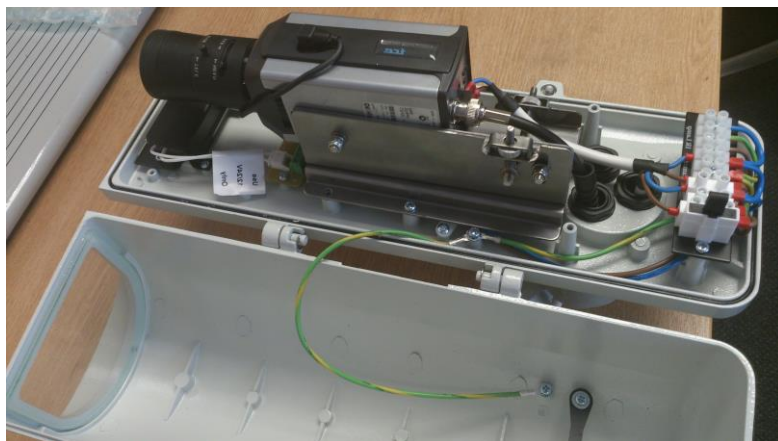
Model SAW6928

Model SAW6845

Model SAW6932



Wall Mounted Camera Bracket



Camera Micro Adjuster

Our new light weight camera equipment is based around a folding camera post, manufactured from aluminium for ease of installation and maintenance. This unit is mated to a 'Vista' camera housing fitted with a unique camera micro adjuster.

Maximum height of post 4M, off-set arm overall length to be no more than 1.6M  
A fixed post version is available.

A 20amp 4 pole Isolator is supplied mounted inside of the inspection / adjustment cover.

We offer various interface adaptors from directly on top of the post to the twin one shown. Maximum cameras per post 2.  
We also supply canopy brackets and various wall mounted configurations (Shown)

