

STEAD & WILKINS

Precision Engineering & Fabrications



Data Sheet 00050

Base Options

Suspended PCC Camera Base:	Model SAW6337
Suspended Steel Beam Camera Base:	Model SAW6338
Restricted width Suspended Camera Base:	Model SAW6339
Concrete Casting Monitor Base:	Model SAW6340
Suspended PCC Monitor Base:	Model SAW6341

These are to support the camera and monitor post on various types of suspended platforms. All are galvanised and include the necessary fittings.

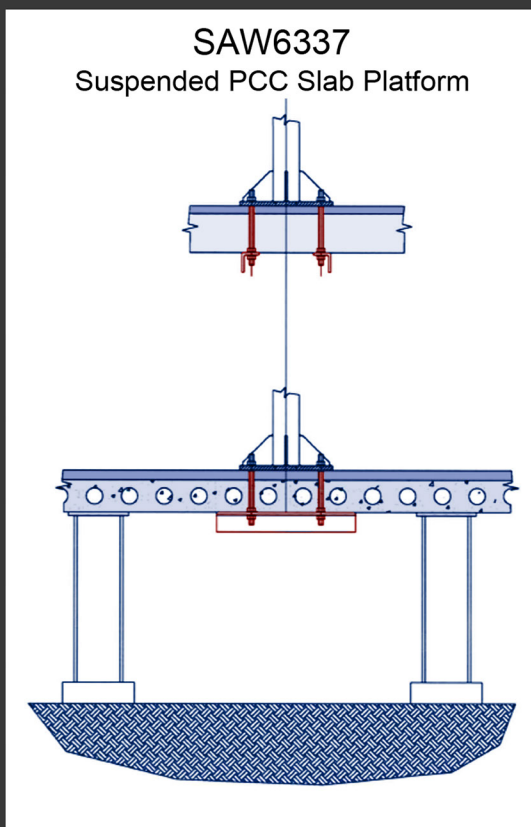
Model – SAW6337, to suit camera posts, SAW5753 & SAW5765 when used on suspended PCC slab platforms.

Model – SAW6338, to suit camera post, SAW5754 & SAW5764 when used on suspended platform directly over a steel beam

Model – SAW6339, to suit camera post, SAW5754 & SAW5764 when used on a suspended platform with restricted width

Model – SAW6340, to suit monitor post when casting in concrete

Model – SAW6341, to suit monitor post when used on a suspended PCC slab platform



Key Features:

All items galvanise protection

Adjustable to suit different platform configurations

Stead & Wilkins Ltd
Jolly Farmers Wharf
Thames Road
Crayford
Dartford
Kent
DA1 4QH

Tel: +44 (0)1322 529134
Fax: +44 (0)1322 550314



Certificate FM33624
BS EN ISO 9001:2008

Stead & Wilkins:
Supplying network
rail with bespoke
security



STEAD & WILKINS

Precision Engineering & Fabrications



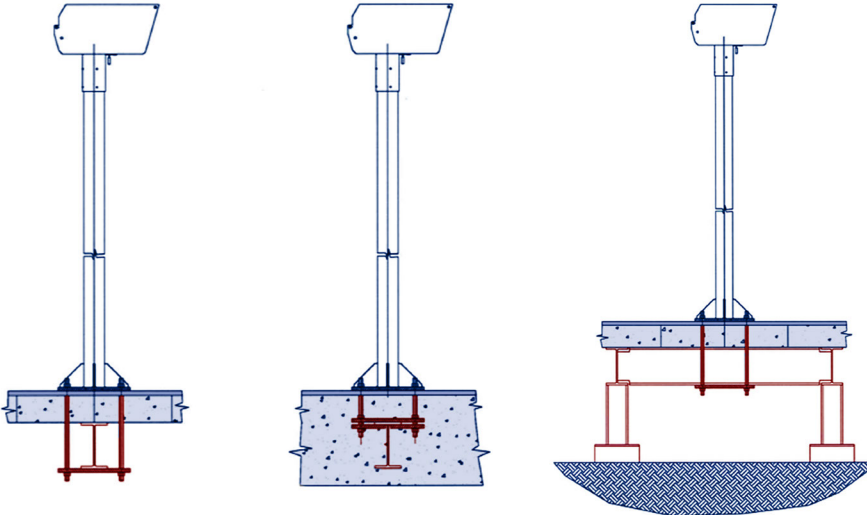
Data Sheet 00050

Base Options

Suspended PCC Camera Base:	Model SAW6337
Suspended Steel Beam Camera Base:	Model SAW6338
Restricted width Suspended Camera Base:	Model SAW6339
Concrete Casting Monitor Base:	Model SAW6340
Suspended PCC Monitor Base:	Model SAW6341

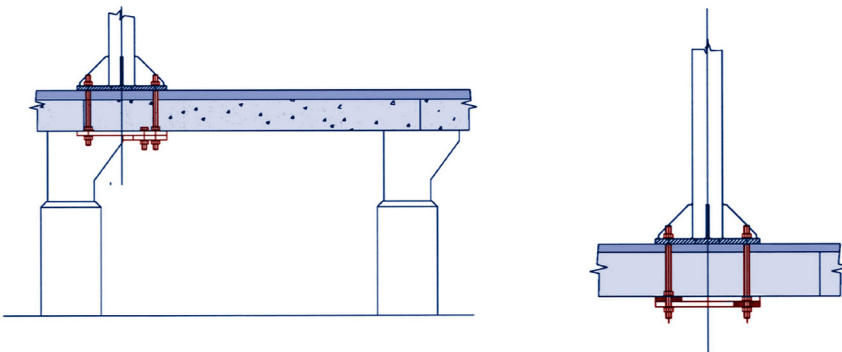
SAW6338

Suspended Platform Directly Over a Steel Beam



SAW6339

Suspended Platform with Restricted Width
Usually with Concrete piers/Columns



Key Features:

All items galvanise protection

Adjustable to suit different platform configurations

Stead & Wilkins Ltd
Jolly Farmers Wharf
Thames Road
Crayford
Dartford
Kent
DA1 4QH

Tel: +44 (0)1322 529134

Fax: +44 (0)1322 550314



Certificate FM33624
BS EN ISO 9001:2008

Stead & Wilkins:
Supplying network
rail with bespoke
security



STEAD & WILKINS

Precision Engineering & Fabrications



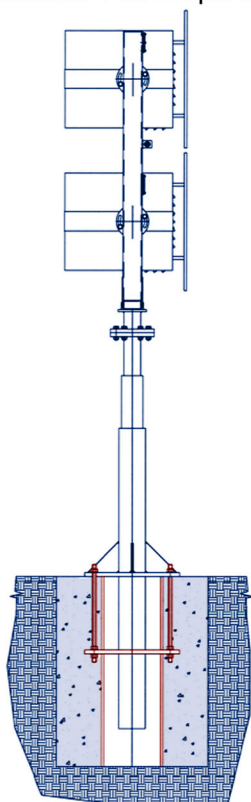
Data Sheet 00050

Base Options

Suspended PCC Camera Base:	Model SAW6337
Suspended Steel Beam Camera Base:	Model SAW6338
Restricted width Suspended Camera Base:	Model SAW6339
Concrete Casting Monitor Base:	Model SAW6340
Suspended PCC Monitor Base:	Model SAW6341

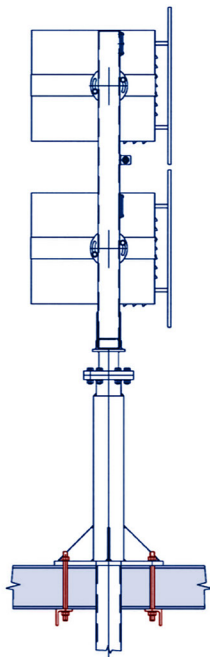
SAW6340

Typical Solid Platform
Mechanical Telescopic Posts



SAW6341

Suspended PCC Slab Platform



Key Features:

All items galvanise protection

Adjustable to suit different
platform configurations

Stead & Wilkins Ltd
Jolly Farmers Wharf
Thames Road
Crayford
Dartford
Kent
DA1 4QH

Tel: +44 (0)1322 529134
Fax: +44 (0)1322 550314



Certificate FM33624
BS EN ISO 9001:2008

Stead & Wilkins:
Supplying network
rail with bespoke
security

